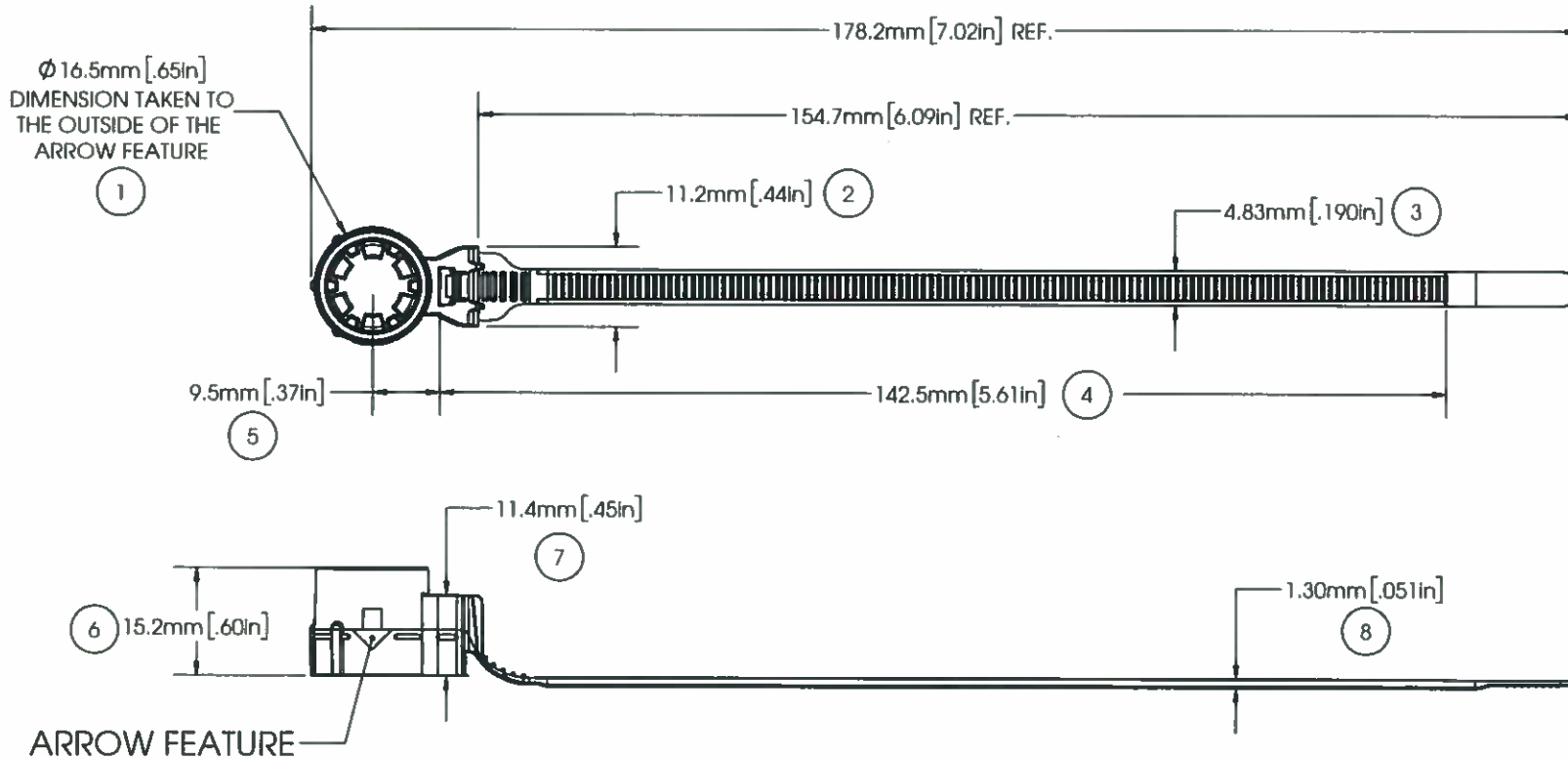


AVERY DENNISON MARKETING SPECIFICATION

HISTORY

REV.	DATE	DESCRIPTION
A	06.17.16	RELEASED

THE SUBJECT MATTER DISCLOSED HEREIN EMBODIES PROPRIETARY INFORMATION WHICH IS THE CONFIDENTIAL PROPERTY OF THE AVERY DENNISON CO. NONE OF WHICH SHALL BE COPIED, REPRODUCED, DISCLOSED TO OTHERS, PUBLISHED OR USED IN WHOLE OR IN PART, FOR ANY PURPOSE OTHER THAN THAT FOR WHICH IT IS BEING MADE AVAILABLE WITHOUT THE EXPRESS ADVANCE WRITTEN PERMISSION OF A DULY AUTHORIZED AGENT OF THE COMPANY. THIS DOCUMENT IS THE PROPERTY OF THE AVERY DENNISON CO. AND IS TO BE RETURNED TO THE COMPANY ON DEMAND.



9	Δ FLAMMABILITY RATING:	HB RATED PER FMVSS302
10	Δ TENSILE STRENGTH:	50 LBF / 222N MIN.
	MOUNTING:	M10 X 1.25 and M10 X 1.5 STUDS
	WEIGHT:	2.7g
	TEMPERATURE RANGE:	-40°F (-40°C) TO 302°F (150°C) CONTINUOUS AND 329°F (165°C) AT MAXIMUM EXPOSURE
	BUNDLE DIAMETER:	$\phi 1.6\text{mm}$ TO $\phi 38.1\text{mm}$
	TOOL:	12001- HAND INSTALLATION TOOL 12500- PNUM. INSTALLATION TOOL
	TOOL TENSION SETTING:	6 - 8
	PACKAGING:	1000/BAG, 5 BAGS/MASTER

NOTES:
1. SPECIAL CHARACTERISTICS ARE NOTED BY A TRIANGLE (Δ)

APPROVALS: ENG. APPR. *LQ OMA* 6/30/16
Q.A. APPR. *Frank Soto* 06/30/2016

SPECIFIED TOLERANCES ARE:

.XX \pm .03 INCHES	.X \pm .7 mm
.XXX \pm .010 INCHES	.XX \pm .25 mm
ANGULAR: $\pm 2^\circ$	

MATERIAL: NYLON 6/6,
IMPACT MODIFIED, HEAT STABILIZED
COLOR: BROWN

AVERY DENNISON
FASTENER DIVISION
FITCHBURG, MA 01420 U.S.A.
TEL: 1-800-225-5913
FAX: 978-353-8157

DESCRIPTION: M10 COMPACT WELD STUD TIE, HI-HEAT
STOCK NO. 20153-HHBN
REV. A